

1500 Pocket Door Frame (commercial grade)

MAX DOOR SIZE: 3'-0" x 6' x 8" x 1-3/4"

MAX DOOR WEIGHT: 200 lbs

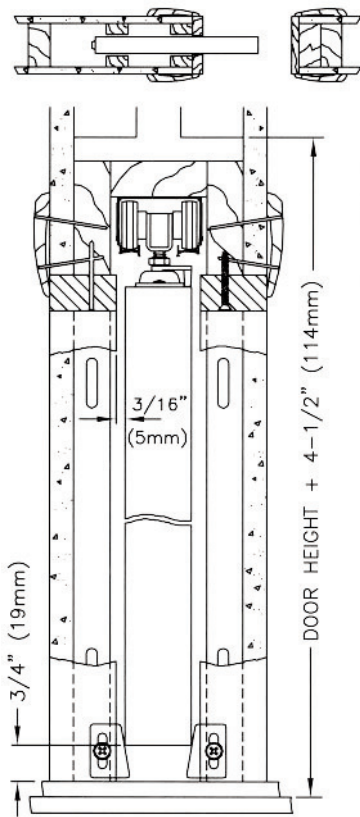
FINISHED WALL THICKNESS: 4-9/16"

CODE = POCKETFRAME



Easily assembled, structurally strong pocket door frame designed for fast installation in standard 2 x 4 timber or steel frame stud walls typically sheeted with drywall. Versatile frame can be adapted for use in thicker walls or cut down to accept any smaller size door. Removable aluminum track with low friction convex track rails, guaranteed jump proof smooth rolling ball bearing tricycle hangers, rust resistant zinc plated steel reinforced timber split studs and self adjusting floor anchors.

ALL FRAMES CAN BE CUT DOWN TO ACCOMMODATE ANY SMALLER SIZE DOOR.



Rough opening width
Single doors:

2 x door width + 1"

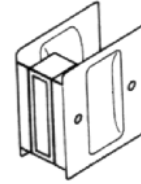
Double doors:

4 x door width



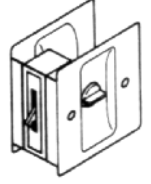
Pocket Door Pulls (Bright Brass)

Combination Pull
Passage



PDLPASSUS3

Combination Pull
Privacy



PDLPRIVUS3

Flush pull and edge pull in one unit for 1^{3/8}" or 1^{3/4}"

Door Edge Cut-out Required

2^{1/4}" x 1^{3/4}"

US3 Bright Brass Color

the Round Pocket Door Lock



Model 334 - Passage Function



Model 335 - Privacy Function

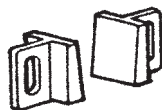
Doors factory prepped to accept these locks

PKPASSUS3	Brass Passage Pocket Door Latch
PKPRIVUS3	Brass Privacy Pocket Door Latch
PKPASSUS26D	Satin Chrome Passage Pocket Door Latch
PKPRIVUS26D	Satin Chrome Privacy Pocket Door Latch

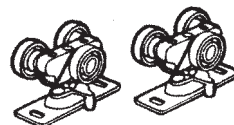
Code 585080		CONVERGING DOOR KIT (USED FOR JOINING 2 POCKET DOOR FRAMES) <u>1555 INSTALLATION INSTRUCTIONS</u>
134PKTFRAMEADPT		1-3/4" DOOR ADAPTOR KIT STANDARD SIZE POCKET DOOR FRAMES ACCEPT 1-3/8" DOORS ONLY. USE THIS ADAPTER KIT FOR 1-3/4" DOORS. <u>1575 INSTALLATION INSTRUCTIONS</u>

Replacement Hardware

CODE = POCKETHDWSET



Door Guides
1550



Hanger/Rollers
1120



Wrench
1712



Wall Stop
1513