



# Premium Roofing Products

## Limited Lifetime Warranty\*

### Limited Lifetime Architectural Shingles

IKO Cambridge shingles are laminated to provide a remarkable dimensional thickness, not only for strength, durability, and weather resistance, but also to create an extraordinarily beautiful look for your home.

- Laminated architectural design
- Featuring an algae resistant granule
- Lifetime Limited Warranty
- Length: 40-7/8"
- Width: 13-3/4"
- Exposure: 5-7/8"
- 3 bundles/Sq.

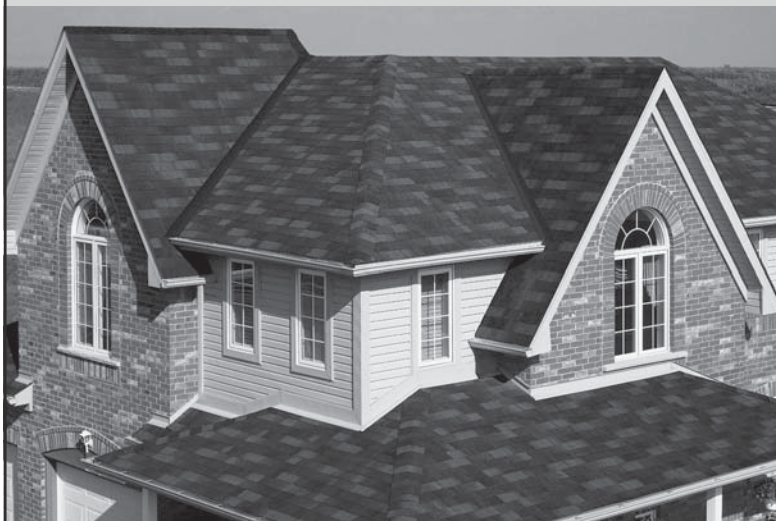
\*Only on an individual owner's single family residential home in the United States. See full Limited Warranty for complete terms, conditions, restrictions, and application requirements.

Color Availability	Cambridge	
	In-stock	Non-stock
Dual Black	✓	—
Dual Grey	✓	—
Dual Brown	—	✓
Harvard Slate	✓	—
Driftwood	—	✓
Weatherwood	✓	—
Charcoal Grey	✓	—
Earthtone Cedar	✓	—
Forest Green	—	✓
Heatherwood	—	✓
Aged Redwood	—	✓
Riviera Red	—	✓
National Blue*	—	✓
Chapel Slate	—	✓

\* Blue granules may fade after extensive exposure to sun's ultraviolet rays.



## Traditional 3-Tab Design



These traditional style shingles are made with our finest asphalt and coated with our own durable ceramic colored granules.

Color Availability	In-stock	Non-stock
Dual Black	✓	—
Dual Grey	✓	—
Dual Brown	—	✓
Harvard Slate	✓	—
Driftwood	—	✓
Weatherwood	✓	—
Charcoal Grey	✓	—
Earthtone Cedar	✓	—
Forest Green	—	✓
Heatherwood	—	✓
White	—	✓

### Marathon 25 AR

- Fiberglass asphalt shingle
- Traditional 3-Tab design
- Limited 25-year Warranty
- Length: 39-3/8"
- Width: 13-1/4"
- Exposure: 5-5/8"
- 3 bundles/Sq.



**GoldShield • ArmourGard**  
Premium Ice & Water Protector      Ice & Water Protector

**“Invisible” protection against roof leaks.**

- Helps prevent water leakage due to ice dams and wind-driven rain
- Improved flexibility for superior performance
- Slip-resistant surface for safe application
- Tear-resistant membrane
- Self-adhesive for watertight sealing
- Self-sealing around roofing nails



Specifications (approximate)	
<b>GoldShield</b> 2 square	
Length	67' (20.3 m)
Width	36" (914 mm)
Roll Contents	200 sq. ft. (18.6 m <sup>2</sup> )
Thickness	40 mil (1 mm)
<b>ArmourGard</b> 2 square	
Length	65' (19.8 m)
Width	36" (914 mm)
Roll Contents	195 sq. ft. (18.1 m <sup>2</sup> )
Thickness	67 mil (1.7 mm)

**ROOFGARD-SB**

**When it comes to protecting your home, what's underneath counts.**

Introducing IKO RoofGard-SB – an underlayment that over-performs. IKO RoofGard-SB is made of a synthetic material that is completely waterproof. It forms an effective water-shedding barrier under shingles or alternative roofing materials, such as shakes, tiles, slate or metal. Even in cold weather, it's incredibly flexible, and easy to work with.

When it's time for you to consider a new roof, remember that what you don't see is just as important as what you do see. Opt for the premium protection of IKO's RoofGard-SB underlayment.



Specifications (approximate)	
Length	250' (76.2 m)
Width	48" (1219 mm)
Roll Contents	1000 sq. ft. (92.9 m <sup>2</sup> )
Rolls per Pallet	36

**LEADING EDGE Plus**

**Fast, Easy and Convenient!**

Leading Edge Plus the latest evolution of starter strip.

As a roofing professional, you already know that starter strips help you do a better job. By installing them along the eaves and rakes, you have a straight guide for laying the first course of shingles and trimming the overlying courses. The sealant strip along their bottom edge creates a tight seal to protect shingle ends against wind damage and reduce shingle blow-offs. And you don't have to waste time and material cutting regular shingles to size.

Leading Edge Plus gives you 36 starter strips per bundle because each shingle is more compact, yet yields twice as many strips.

So you really can do more with less. Less waste, that is!

Try Leading Edge Plus on your next project and we think you'll agree. Sometimes a little change can make a BIG difference!

Specifications (approximate)	
Length	39-3/8" (1000 mm)
Width	6-5/8" (168 mm)
Shingles per Bundle	36
Weight per Bundle	57.5 lbs. (26 kg)
Coverage per Bundle	118 lin. ft. (36 lin. m)
Bundles per Skid	72



**Hip&Ridge 12**

**Ridge Cap Shingles**

Now you don't have to waste time cutting up shingles to protect those vulnerable hip and ridge areas. IKO has a better-looking, much easier alternative! Introducing IKO Hip & Ridge 12 Cap Shingles.

- Lightweight and perforated to give you 3 pieces, each 300 mm (12") wide. By spending less time cutting, you'll save on labour costs. Now you can improve the roofline and your bottom line!
- Easy to separate, even at the site of application!
- IKO-SBS modified adhesive sealant for maximum wind protection.
- Featuring an algae resistant granule.
- May be applied in a traditional "single" dimensional thickness and appearance. To add dimensional depth, simply apply in two layers, the top layer set back about 19 mm (3/4").

Color Availability	In-stock	Non-stock
Dual Black	✓	—
Dual Grey	✓	—
Harvard Slate	✓	—
Weatherwood	✓	—
Charcoal Grey	✓	—
Earthtone Cedar	✓	—

Specifications (approximate)	
Length	36" (914 mm)
Width	12-1/4" (311 mm)
Quantity per bundle	26 x 3 = 78
Coverage per bundle	33.3 lin. ft. (10.1 lin. m)

**Premium Roofing Products**

[www.iko.com](http://www.iko.com)

## Laminated Architectural Design

### EVEREST ~ DOUBLE-LAYER LAMINATE: LIMITED LIFETIME WARRANTY

Take Beauty and Protection to the Top



This double-layer laminate features larger tabs for a bolder appearance and dramatic colors for eye-catching elegance. Its generous nailing zone allows for easier installation and shingle performance.

Now with WEATHER-TITE Technology. Everest offers a choice of thirteen stunning colors and is covered by a Limited Lifetime Warranty; its Improved wind warranty for winds up to 110 mph (180 km/h) on standard installation, and for winds up to 135 mph (220 km/h) with special high wind installation (as per special application instructions).

(Our Yukon SB or our Meridian 3D must be used for the hip & ridge)

#### EVEREST (3 bundles/SQ)

Color Availability	In Stock	Non Stock
ANTIQUE GREY	✓	-
AUTUMN BROWN	-	✓
BOREAL GREEN	-	✓
BROWN STONE	-	✓
DRIFT WOOD	-	✓
MAGENTA RED	-	✓
SEQUOIA	-	✓
SEYCHELLES BLUE	-	✓
SHADOW BLACK	✓	-
SILVER GREY	✓	-
SUNSET CEDAR	✓	-
TWILIGHT GREY	✓	-
WEATHERED ROCK	✓	-

## Traditional 3-Tab Design

### YUKON 30 ~ FIBERGLASS 3-TABS: USE W/EVEREST

#### YUKON (3 bundles/SQ)

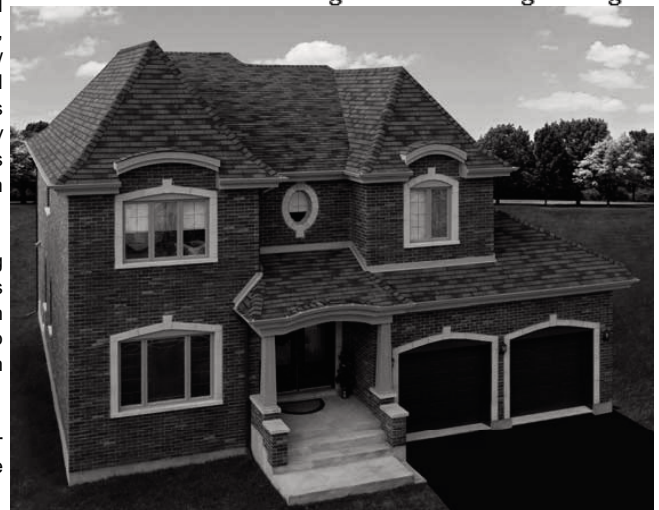
Color Availability	In Stock	Non Stock
ANTIQUE GREY	✓	-
AUTUMN BROWN	-	✓
BEACH WOOD	-	✓
BOREAL GREEN	-	✓
BROWN STONE	-	✓
DRIFT WOOD	-	✓
MAGENTA RED	-	✓
SEQUOIA	-	✓
SEYCHELLES BLUE	-	✓
SHADOW BLACK	✓	-
SILVER GREY	✓	-
SUNSET CEDAR	✓	-
TWILIGHT GREY	✓	-
WEATHERED ROCK	✓	-

The great outdoors is no match for the new and rugged YUKON SB Heavyweight Fiberglass, 3-Tab Shingle. It features a unique shadow band, which creates an eye-pleasing chiselled look. Strong, durable and handsome, this squarecut design provides extraordinary protection in the toughest weather conditions as well as a wide selection of popular colors from which to choose.

Yukon SB offers a choice of fourteen stunning colors and is covered by a 30 year Warranty; its Standard Wind Warranty covers up to 115 km/h (70 mph) ts High Wind Warranty covers up to 130 km/h (80 mph) (as per special application instructions).

(This shingle can be used as a Hip & Ridge for Eclipse GL and Everest. In this case, the warranty is as per laminate shingle installed.)

Rough Weather. Tough Shingle



#### BREAKTHROUGH SHINGLE TECHNOLOGY

Breakthrough hurricane resistant protection now built into every BP laminate shingle, with 2 sealant bands that lock out water and wind driven rain. One groundbreaking technology that provides superior protection and gives the added-value of an enhanced wind warranty.

Look to the Weather-Tite™ symbol for superior protection!



Weather-Tite™ locks out water and wind-driven rain like no other shingle. The new Weather-Tite technology with 2 sealant bands on every BP Laminate Shingle for the most powerful hurricane-resistant protection.

Weather-Tite™ technology for better performance

- Better wind resistance
- Better wind-driven rain resistance
- Better resistance to water infiltration due to ice damming
- Better resistance to surface uplift

Proven technology for better protection

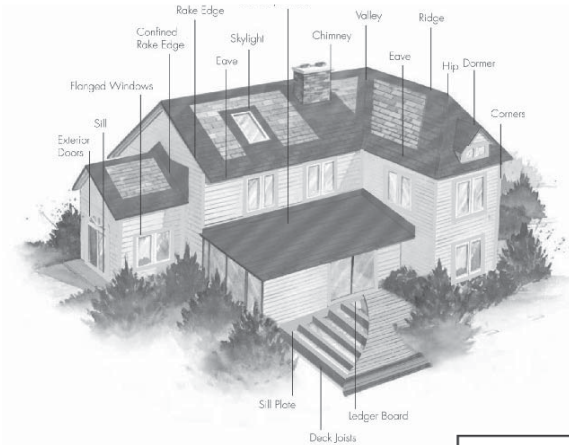
Tested and passed with success for wind and rain resistance, BP Laminates with Weather-Tite™ technology are proven to withstand the worst climate conditions.

# Ice & Water Shield

## INFORMATION



Use Grace Ice & Water Shield on all of these critical areas

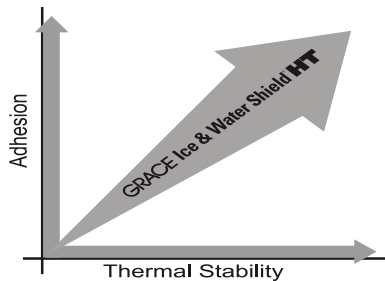


You know the danger zones where most roof leaks happen. Protect those areas with Grace Ice & Water Shield, and you create a self sealing barrier that neither melting snow nor wind driven rain can penetrate through or travel beneath. It takes surprisingly little Grace Ice & Water Shield to make danger zones safe. It adds very little to the cost of a roofing job, but the benefits of using it are obvious ... and important. That's why it's an easy sell. The more danger zones a sloped roof has, the more sense it makes to use Grace Ice & Water Shield. It neutralizes the danger zones in a way felts can't.

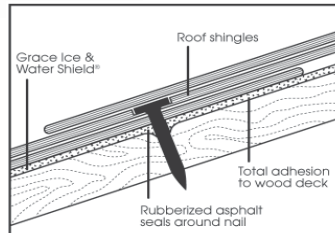
### The Complete "HT"

Grace Ice & Water Shield® HT delivers the design flexibility, waterproofing performance and durability you need in a solution that promotes sustainability.

No More Compromises! Grace Ice & Water Shield HT provides the optimal balance of adhesion and thermal stability

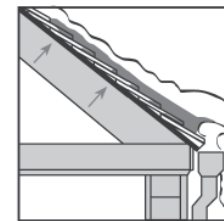


Unlike other HT underlayments Grace Ice & Water Shield HT provides the optimal balance of adhesion and thermal stability.



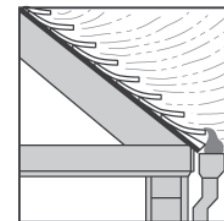
Seals around nails or fasteners. Fully adheres to deck, resisting leaks from wind-driven rain or water backup due to ice dams

### Ice Dams



Grace Ice & Water Shield resists this leakage because of the seal around the fasteners, ability to make watertight laps, and the membrane's bond to the deck.

### Wind Driven Rain



Grace Ice & Water Shield applied beneath the sloped roof covering helps prevent wind driven rain from entering the structure.

<b>GRACE</b> Ice & Water Shield	<p><b>180°F*</b></p> <ul style="list-style-type: none"> <li>• 30 years of proven performance</li> <li>• Premium leak protection in areas prone to ice dams and wind-driven rain</li> <li>• Compatible with all standard roof coverings</li> </ul> <p><i>Excludes applications in high altitudes where copper, zinc or Cor-Ten roof coverings will be used.</i></p>
<b>GRACE</b> Ice & Water Shield HT	<p><b>240°F*</b></p> <ul style="list-style-type: none"> <li>• Premium performance in high temperature applications</li> <li>• Optimal balance of adhesion and thermal stability</li> <li>• 120 day exposure</li> </ul>
<b>GRACE</b> Ultra	<p><b>300°F*</b></p> <ul style="list-style-type: none"> <li>• High in-service temperature applications</li> <li>• Butyl rubber technology</li> <li>• Suitable for high altitude applications</li> <li>• Best choice under copper, zinc or Cor-Ten roof covering</li> </ul>

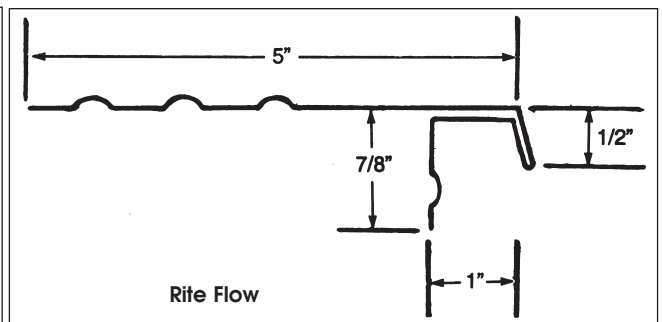
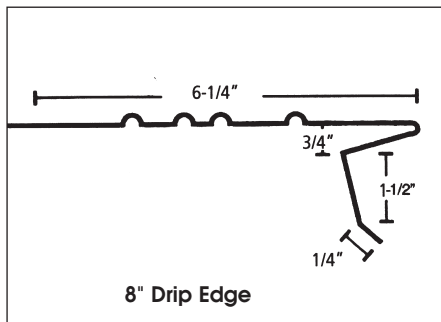
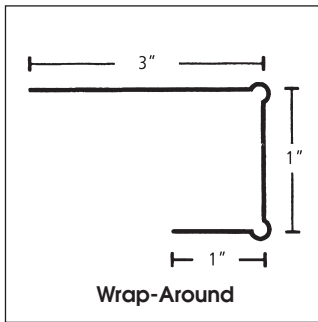
**Stock**

### PRODUCT DATA

Roll length	66.7 ft.
Roll width	36 in.
Roll size	200 ft. <sup>2</sup>
Packaging	Corrugated cartons
Roll weight	54 lbs.
CODE	GRACE

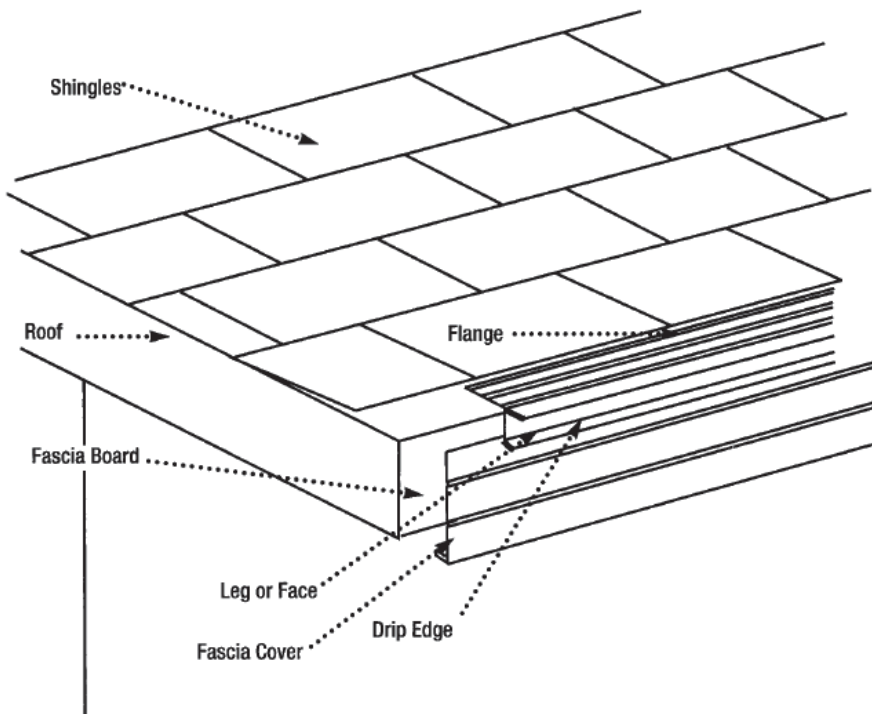
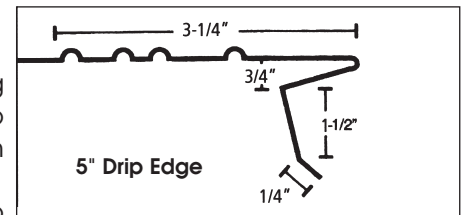
# Drip Edge INFORMATION

	Mill Finish	White	Brown	Galvanized	White Galv.
5" Drip Edge	*	*	*		
8" Drip Edge	*	*	*	*	*
Wrap-Around	*	*			
Rite Flow		*			



## OVERHANG DRIP EDGE APPLICATION INSTRUCTIONS

- 1.) Position drip edge flange on roof edge, making sure that the face or leg is flush to the fascia board and "drip edge" is facing away from roof. Do not butt lengths of drip edge against one another. Leave 1/16" between lengths or overlap by 1 1/2"
- 2.) Drill holes slightly larger than nail shank in the drip edge flange. Nail to roof per nailing instructions below.



## Nailing Instructions

- 1.) Always use aluminum nails that can penetrate a minimum 3/4".
  - 2.) Nails must not be driven home. The drip edge must be "hung" not "attached". Allow 1/32" clearance for movement due to temperature changes.
  - 3.) First nail should not be less than 4" from the end of the drip edge.
  - 4.) Drive next nail approximately 18 to 24" away and continue nailing, allowing the last nail to be not less than 4" away from the end of the drip edge.
- Note: Shingles are installed over the drip edge covering the flange.

**RIDGID VENT**



4' Piece **CODE SNOWCOUNTRY**



LTD. WARRANTY  
**40**  
YEARS

One box (40') of Cobra® Snow Country Advanced™ exhaust vent replaces:  
  
**18 Conventional Roof Vents...or**  
**10 Metal Turbine Roof Vents**

**RIDGE VENT**

**Cobra**<sup>®</sup>  
**EXHAUST VENT FOR ROOF RIDGE**



*Ideal For Hand Nailing!*

20' ROLL **CODE ROLLVENT**

**Stale Air Is Removed Through Cobra Exhaust Vent (Installed Under Ridge Cap Shingles)**



*Fresh Air Enters Attic Through Intake Vent At Soffit Or Eave*



**Balanced Ventilation Requirements**

Balanced ventilation requires 1 square foot of ventilation for every 300 square feet of attic floor space.

1. Calculate the total square footage of the attic floor area (round up to the next highest number). This number will determine the minimum total linear feet of Cobra Exhaust Vent that is needed.
2. Find the appropriate amount of Cobra Exhaust Vent and minimum intake ventilation that corresponds to the total attic square footage.

Total Attic Square Footage	Recommended Length of Cobra Exhaust Vent (Feet)*	Minimum Intake Ventilation (Net Free Area in Sq. In.)*
<b>1600</b>	<b>23/28</b>	<b>389/395</b>
<b>1900</b>	<b>27/33</b>	<b>457/466</b>
<b>2200</b>	<b>32/38</b>	<b>541/536</b>
<b>2500</b>	<b>36/43</b>	<b>609/607</b>
<b>2800</b>	<b>40/48</b>	<b>676/677</b>
<b>3100</b>	<b>45/53</b>	<b>761/748</b>
<b>3400</b>	<b>49/58</b>	<b>829/818</b>

*\*First figure pertains to hand nail, second figure pertains to nail gun*

*NOTE: In no case should the amount of ridge exhaust ventilation exceed the amount of soffit ventilation.*

One 20' Coil of Cobra Ridge Vent replaces:  **OR**