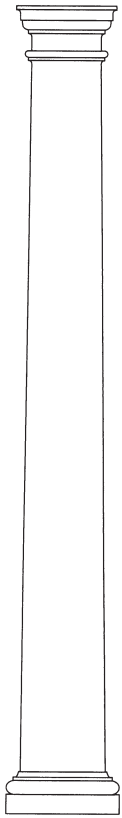


SPECIFICATION FOR FIBERCAST ROUND COLUMNS

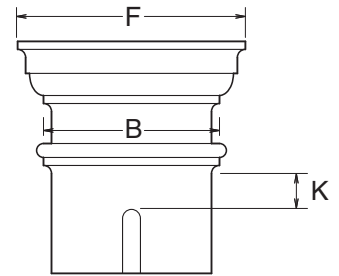
Diameter of the column	Shaft		Plinth	Cap Width	SpunCast Flute			# of Flutes	Load Bearing	Inside Dimention of Column		Column Heights
	Bottom Dia.	Top Dia.			Flute Width	Top Flute	Bottom Flute			Max Round Support	Max Square Support	
	A	B			L	K	J					
6"	5 5/8"	5	8 1/4"	7 1/8"	5/16"	1"	10 3/4"	16	8,000	2 1/2"	2 7/16"	8'
8"	7 5/8"	6 1/2"	10 3/4"	9 5/8"	11/16"	1"	10 3/4"	24	10,500	5 1/4"	3 11/16"	6',8',9',10'
10"	9 5/8"	8 1/2"	13 3/8"	12	7/8"	1"	10 3/4"	24	13,900	6 7/8"	4 13/16"	8',9',10',12'
12"	11 5/8"	10	16 1/8"	14 1/2"	1	1"	10 3/4"	24	18,000	8 7/16"	5 7/8"	8',9',10',12',14',16'
14"	13 5/8"	12	18 3/4"	17 1/2"					20,000	10 1/16"	7 1/8"	8',9',10',12',14',16'
16"	15 5/8"	13 1/2"	21 1/2"	19 1/4"					21,945	11 7/16"	8 1/16"	8',9',10',12',14',16',18',20'

- Each column shaft is produced with the lower 1/3 straight and the upper 2/3 tapered, creating a correct architectural entasis.



Plain Round
Fiberglass
Column
with Tuscan
Capital &
Base

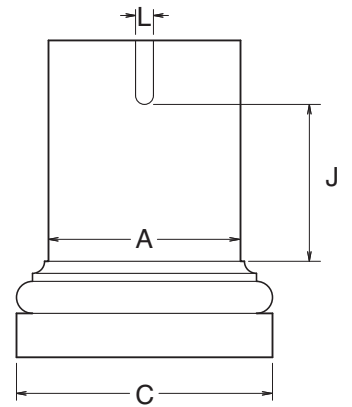
STOCK		
Codes		
PLCOL68F	6" x 8'	Plain Round
PLCOL856F	8" x 6'	Plain Round
PLCOL88F	8" x 8'	Plain Round
PLCOL89F	8" x 9'	Plain Round
PLCOL810F	8" x 10'	Plain Round
PLCOL108F	10" x 8'	Plain Round
PLCOL109F	10" x 9'	Plain Round
PLCOL88FSplit	8" x 8'	Plain Split Round



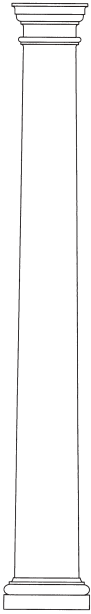
- The columns are a composition of cast glass, reinforced polymer (GRP) for exceptional strength and durability.

Cap & Base
Code

10"	10 TCB
6"	6 TCB
8"	8 TCB
8"	8 TCB Split

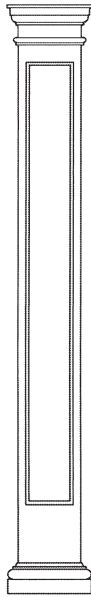


Finishing: Use oil or latex primer and top coat.



Plain Round
Fiberglass
Column
with Tuscan
Capital &
Base

- Plain Round**
8" x 8' Fluted
10" x 10'
10" x 12'
12" x 8'
12" x 9'
12" x 10'
12" x 12'
12" x 14'
14" x 8'
14" x 10'
16" x 8'
16" x 10'



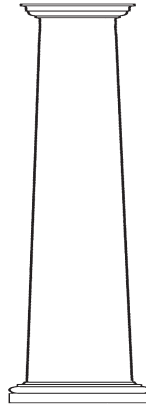
Square
Recessed
Column

- Recessed
Panels**
8" x 8'
8" x 10'
10" x 9'
10" x 10'



Square
Fiberglass
Column
with Tuscan
Capital &
Base

- Plain Square**
8" x 8'
8" x 9'
8" x 10'
10" x 8'
10" x 9'
10" x 10'
12" x 8'
12" x 9'
12" x 10'
12" x 12'



Arts &
Craft
Column

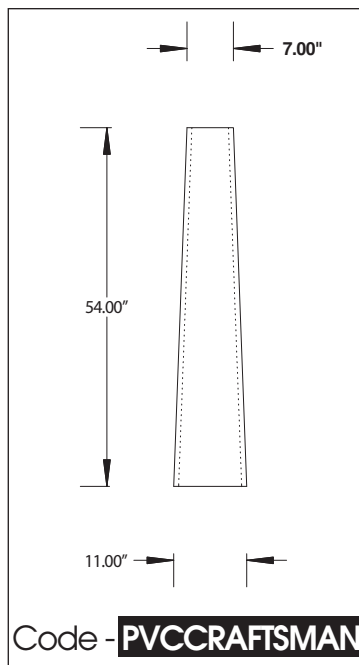
- 10" x 5'6"
16" x 4'10"
16" x 6'
16" x 8'



Colonial
Composite
Post
4" x 4" x 8"

COMPOST558

**Non-Stock
Wood Columns Available
On Request**



**PERMAPOST®
FASTENING KITS**
Each kit comes complete with skirt, brackets, and TapCon screws for wood or concrete substrates. Available for all PermaPost® styles.

SKIRT

BRACKET

COMPFASTKIT5